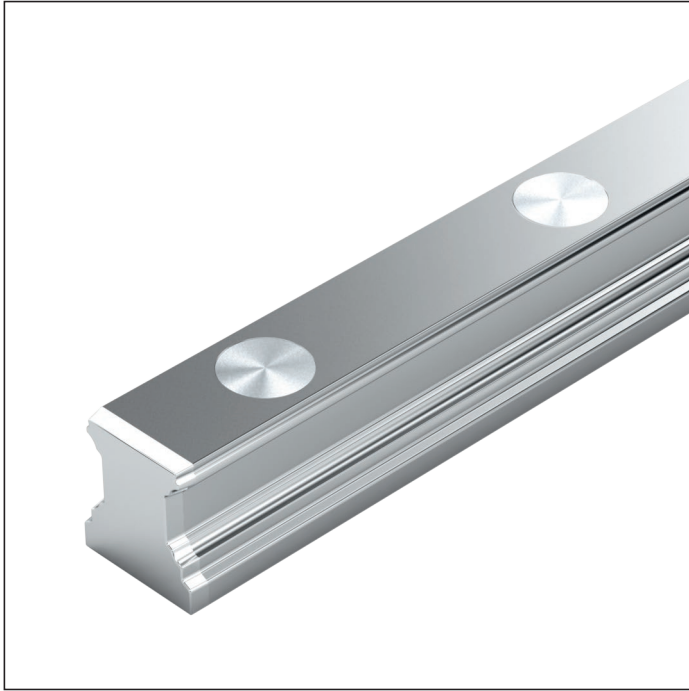


SNS with mounting hole plugs made of steel

**R1606 .5. ..**

For mounting from above, for mounting hole plugs made of steel

Notes

- ▶ Mounting hole plugs made of steel not included in scope of delivery.
- ▶ Observe the instruction for mounting!
Please request the “Mounting instructions for ball rail systems.”
- ▶ Composite ball guide rail also available.

Further ball guide rails SNS and accessories

- ▶ Mounting hole plugs made of steel, mounting device for mounting hole plugs made of steel see accessories for ball guide rails

Options and material numbers

Size	Ball guide rail with size	Accuracy class				Number of partial sections .., Rail length L (mm),		Spacing T (mm)	Recommended rail length in accordance with formula $L = n_B \cdot T - 4 \text{ mm}$	
		N	H	P	SP	One-piece	Composite		Maximum number of holes n_B	
25	R1606 25	4	3	2	1	31,	3.,	60	64	
30	R1606 75	4	3	2	1	31,	3.,	80	48	
35	R1606 35	4	3	2	1	31,	3.,	80	48	
45	R1606 45	4	3	2	1	31,	3.,	105	36	
55	R1606 55	4	3	2	1	31,	3.,	120	32	
65	R1606 65	4	3	2	1	31,	3.,	150	25	
E.g.:	R1606 75	3				31, 1676				

Ordering example 1 (to L_{\max})

Options:

- ▶ Ball guide rail SNS
- ▶ Size 30
- ▶ Accuracy class H
- ▶ One-piece
- ▶ Rail length
L = 1676 mm

Material number:

R1606 753 31, 1676 mm

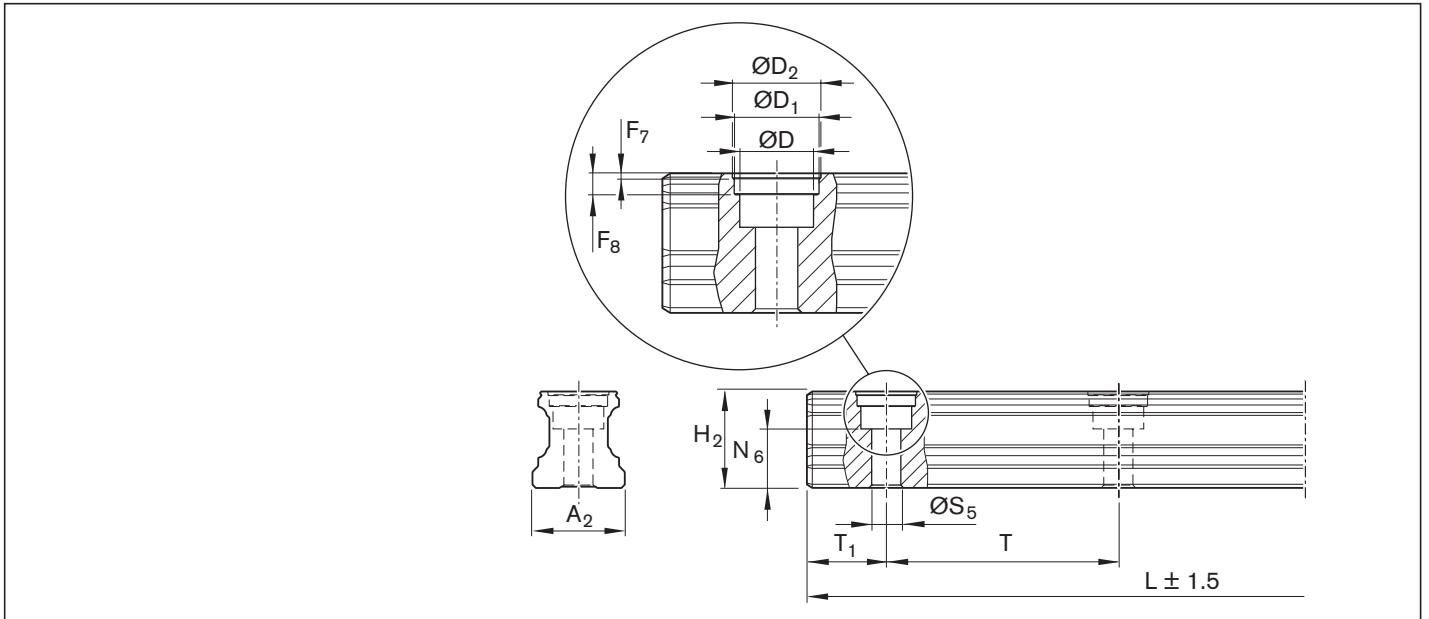
Ordering example 2 (above L_{\max})

Options:

- ▶ Ball guide rail SNS
- ▶ Size 30
- ▶ Accuracy class H
- ▶ **2 partial sections**
- ▶ Rail length
L = 5116 mm

Material number:

R1606 753 32, 5116 mm



Size	Dimensions (mm)															Mass m (kg/m)
	A ₂	D	D ₁	D ₂	F ₇	F ₈	H ₂ ¹⁾	L _{max}	N ₆ ^{±0.5}	S ₅	T	T _{1 min}	T _{1s} ²⁾	T _{1 max}		
25	23	11.0	12.55	13.0	0.90	3.7	24.25	5 816	15.2	7.0	60	13	28.0	50	3.2	
30	28	15.0	17.55	18.0	0.90	3.6	28.35	5 836	17.0	9.0	80	16	38.0	68	5.0	
35	34	15.0	17.55	18.0	0.90	3.6	31.85	5 836	20.5	9.0	80	16	38.0	68	6.8	
45	45	20.0	22.55	23.0	1.45	8.0	39.85	5 771	23.5	14.0	105	18	50.5	89	10.5	
55	53	24.0	27.55	28.0	1.45	8.0	47.85	3 836	29.0	16.0	120	20	58.0	102	16.2	
65	63	26.0	29.55	30.0	1.45	8.0	59.85	3 746	38.5	18.0	150	21	73.0	130	22.4	

1) Dimension H₂ without cover strip

2) Preferred dimension T_{1s} with tolerances ± 0.75 recommended.